

7(m)

6

5

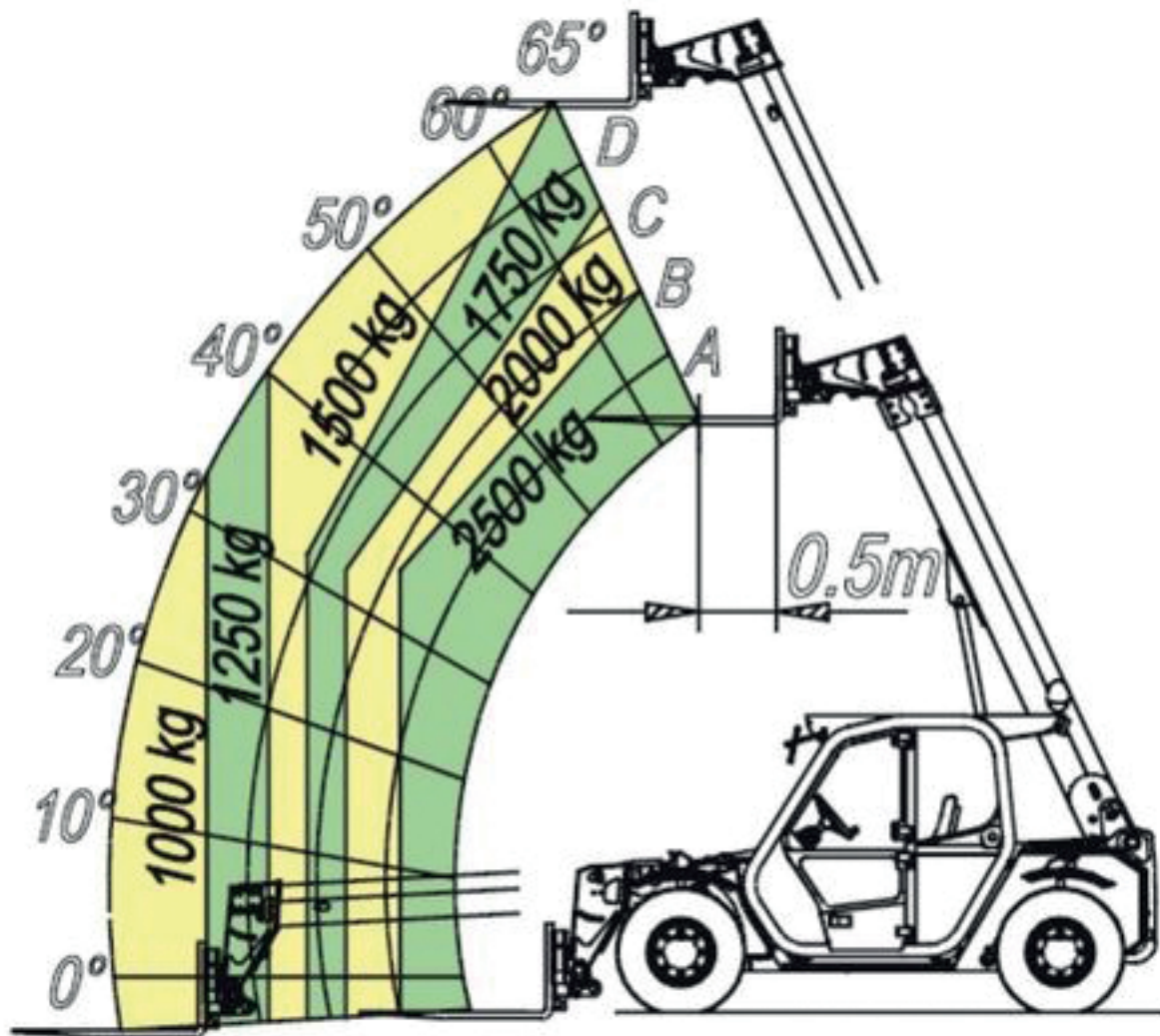
4

3

2

1

0



4

3

2

1

0(m)